

# PRODUCT RECALL

|                        |                                                           |
|------------------------|-----------------------------------------------------------|
| <b>Date:</b>           | 3/12/2021                                                 |
| <b>Manufacturer:</b>   | Lifetime                                                  |
| <b>Article Number:</b> | 2009452                                                   |
| <b>Product:</b>        | 6ft. Seminar Table White Granite Model 80176              |
| <b>Sold:</b>           | Online Only                                               |
| <b>Dates Sold:</b>     | August 1 <sup>st</sup> , 2016 through November 26th, 2020 |

*Please contact Lifetime Products via email at [customercare@lifetime.com](mailto:customercare@lifetime.com) or phone 1-800-292-3865 between 7:00 AM and 5:00 PM (MT) Monday through Friday and Saturday 9:00 AM to 1:00 PM (MT)*



**Post Until: 9/12/2021**



*U.S. Consumer Product Safety Commission – Fast Track Recall*

**Release Date:** January X, 2021

**Release Number:** 21-DRAFT V.2 1-26-21

## **Lifetime Products Recalls 6-Foot Seminar Tables Due to Injury Risk**

### **Recall Summary**

**Name of Product:** Lifetime Products 6-foot Seminar Table

**Hazard:** The brace arms can fail to lock the table legs into place and the table can collapse, posing an injury risk to consumers.

**Remedy:** Repair

Consumers should immediately stop using the Seminar Tables and contact Lifetime Products for a free repair bracket.

**Consumer Contact:** Lifetime Products at 800-292-3865 from 7 a.m. to 5 p.m. MT Monday through Friday and Saturday from 9 a.m. to 1 p.m. MT, by email at [customercare@lifetime.com](mailto:customercare@lifetime.com) or online at [lifetime.com](http://lifetime.com) and click on “Product Recall” for more information.

### **Recall Details**

**Units:** About 43,000

**Description:** This recall involves Lifetime Products 6-Foot Seminar Tables with model #80176. The tables have gray metal frames and white plastic tops. The tables measure 6 feet long by 18 inches wide by 28 inches high. The “Lifetime” logo is molded into each end of the upper surface of the table top. A green product ID sticker located on the underside of the table has the model number and the year and chronological day of manufacture in the first five digits (Example: June 23, 2020 = 20175), followed by a two-digit number for the factory. The recalled tables were manufactured between August 7, 2016 (16220) and June 23, 2020 (20175).

**Incidents/Injuries:** Lifetime Products has received one report from a consumer who identified 11 tables with the brace arms not properly locking into place. No injuries have been reported.

**Sold at:** Online at Amazon.com, Costco.com, Samsclub.com and other websites and at Lifetime Stores in Utah and Idaho from August 2016 through November 2020 for about \$90.

**Importer:** Lifetime Products Inc., of Clearfield, Utah

**Manufacturer:** KINGTEC GROUP VIET NAM CO., LTD, of Ben Cat Town, Binh Duong Province, Vietnam

**Manufactured in:** Vietnam

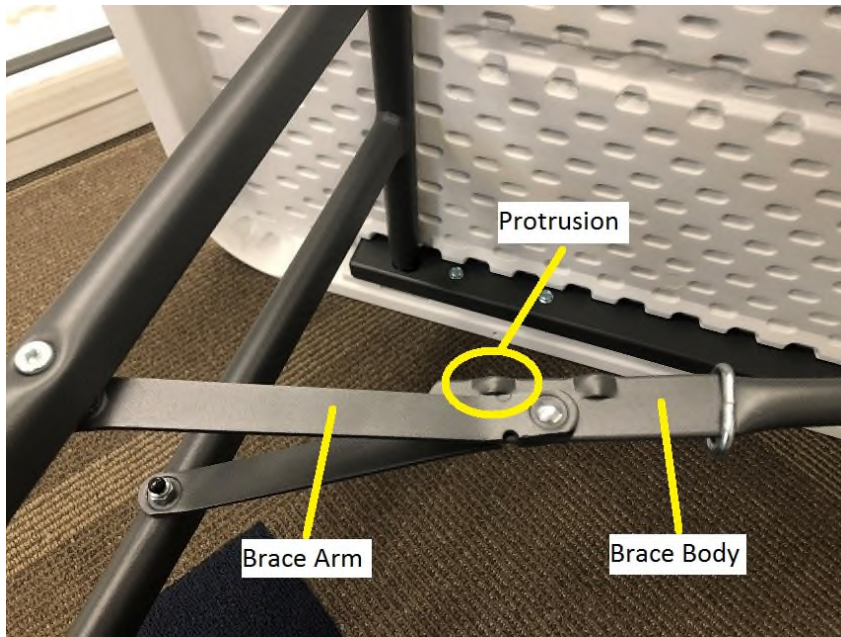
## Photos



**Recalled seminar table**



**Recalled Seminar Table packaging**



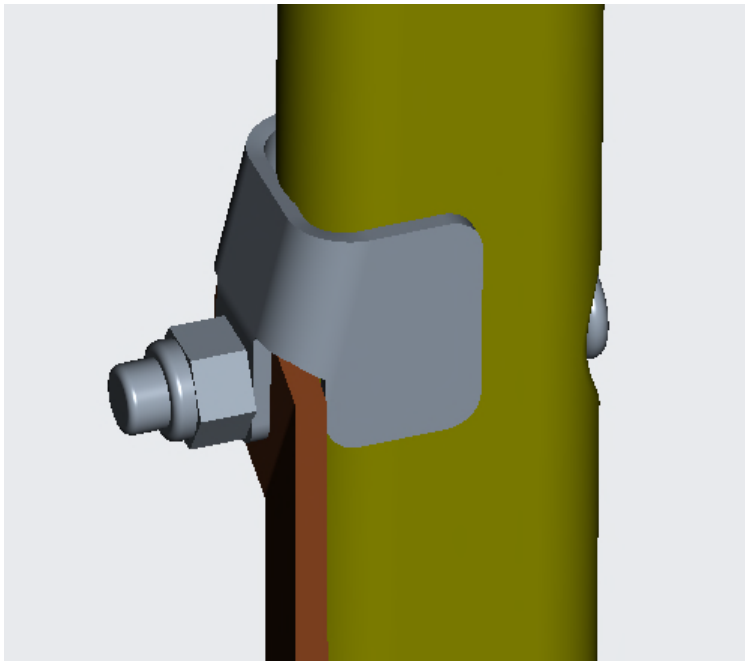
**Locations of the brace arm, brace body and protrusion.**



**Recalled seminar table with over-rotated brace arm.**



**A green product ID sticker showing the year and chronological day of manufacture (Example: June 23, 2020 = 20175), place of manufacture (27 = Vietnam) and model number is located on the underside of the table.**



**The repair bracket can be installed on the table leg with existing hardware to prevent over-rotation of the brace arm.**



This recall was conducted voluntarily by the company under CPSC's Fast Track Recall process. Fast Track recalls are initiated by firms who commit to work with CPSC to quickly announce the recall and remedy to protect consumers.

### **About the U.S. CPSC**

The U.S. Consumer Product Safety Commission (CPSC) is charged with protecting the public from unreasonable risks of injury or death associated with the use of thousands of types of consumer products. Deaths, injuries, and property damage from consumer product incidents cost the nation more than \$1 trillion annually. CPSC's work to ensure the safety of consumer products has contributed to a decline in the rate of deaths and injuries associated with consumer products over the past 40 years.

Federal law bars any person from selling products subject to a publicly announced voluntary recall by a manufacturer or a mandatory recall ordered by the Commission.

### **For lifesaving information:**

- Visit [CPSC.gov](http://CPSC.gov).
- Sign up to receive our [e-mail alerts](#).
- Follow us on [Facebook](#), Instagram [@USCPSC](#) and Twitter [@USCPSC](#).
- Report a dangerous product or a product-related injury on [www.SaferProducts.gov](http://www.SaferProducts.gov).
- Call CPSC's Hotline at 800-638-2772 (TTY 301-595-7054).
- Contact a [media specialist](#).